

CATALOGUE

2009 Edition

CABLE GLANDS AND ACCESSORIES



icg

Via Trieste, 52
28066 Galliate (No) - ITALY

Tel.: +39 0321 807229
Fax: + 39 0321 866887
E-mail: icg-srl@teletu.it

CONTENTS

	Page
INTRODUCTION	2
INFORMATIONS	4
CABLE GLANDS REFERENCE	5
CABLE GLANDS	8
FIRE BARRIER CABLE GLANDS	13
ACCESSORIES	17

INTRODUCTION

CERTIFICATIONS

Every product has been designed and manufactured i.a.w. IEC / CENELEC European Rules and EN recommendation, with approval by an ATEX / IEC notified body.

Product quality assurance certificate n. **CEC 05/2045-AET120** released by CEC (Consorzio Europeo Certificazione).

All items are manufactured for installation in the following areas:

- Safe areas : W.P. IP66 industrial execution
- Class 1 div. 1 areas : Exd IIB / IIC execution
-

Certificate No. **CEC 05/2045-AET120** issued by **CEC RWTUV – ITALY** for **II 2GD** group installation and IP66 protection and in accordance to CENELEC rules:

- *EN 50014 : 1998 + A1-A2*
- *EN 50018 : 2000 + A1*
- *EN 50019 : 2000*
- *EN 50281-1-1 : 1998 + A1*

Certificate No. **CEC 09 ATEX 023X** issued by **CEC RWTUV – ITALY** for **II 2GD** group installation and IP 66 protection and in accordance to IEC rules:

- *IEC EN 60079-0 : 2004*
- *IEC EN 60079-1 : 2007*
- *IEC EN 60079-7 : 2006*
- *IEC EN 61241-1 : 2004*

Certificate available also certification issued by Russian Laboratory and Ukraine Laboratory.

INTRODUCTION

CHARACTERISTICS OF PRODUCTS

Descriptions, drawings and dimensions of this publication are to be intended as products information only, not engaging nor binding the Company.

However, the Company reserves the right to modify specifications and products for their improvement.

TECHNICAL ADVISORY SERVICE

The Company maintains a Technical Advisory Service to assist you with problems concerning the correct selection of products according to required installation conditions.

All enquires should be addressed to our address.

HOW TO ORDER

For a correct order, please provide the following indications

- cable gland type (see sample of designation) or other product
- threads type and dimensions
- material
- possible corrosion protection
- possible accessories
- execution EExd/EExe/IP66

GUARANTEE

The Company assures guarantee for products high quality and fault exempt manufacturing.

Guarantee duration is 12 months from the date of product testing at the factory or from the date of delivery in case of Customer's disclaim of testing.

Within the said term of 12 months, the Company will assume the charge to replace or repair faulty products at the factory, provided that defaults are not caused by Customer's touch or improper use of products.

Costs and risks of transports are at Customer charge.

INFORMATIONS

MATERIALS

Metallic parts:

- CW614N brass
- AISI 304/316 stainless steel

On request : bronze

Brass corrosion protection: nickel/chrome plated (this surface protection increase the corrosion resistance of brass installed in particularly corrosive environments)

SEALS

EPDM (antiageing rubber, 60 ± 5 Shore hardness, suitable for - 40°+ 80°C temperature)

Sylicone on request

THREADS

- UNI6125 GK (ISO 7/1 Rc)
- NPT (ANSI B1 20.1)
- ISO Mx1,5 (ISO 261)

On request

- BSPP/UNI338 (ISO 7/1 Rp)
- Pg (DIN 40430)

NOTES

Cable glands for armoured cables are supplied in normal execution, suitable for 0,3-0,9mm braid or wire armour.

On request, cable glands can be supplied for 1-2,5mm armour wires.

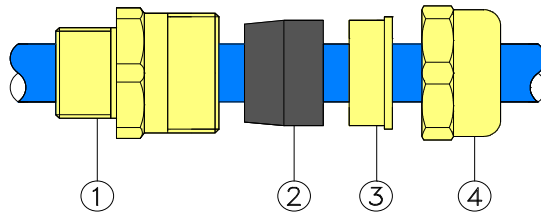
For more detail concerning clamping of armour, please contact our TECHNICAL SERVICE or specify with order, armour type and dimensions.

THREADS COMPARISON TABLE

SIZE	UNI 6125 ISO 7/1	L	BSPP/UNI 338 ISO R228	L	NPT ANSI B1 20.1	L	ISO Mx1,5 ISO 261	L	Pg DIN 40430	L
0			3/8"	15	3/8"	15	M16	15	Pg9 Pg11	12
1	1/2"	18	1/2"	15	1/2"	18	M20	15	Pg13,5 Pg16	12
2	3/4"	18	3/4"	15	3/4"	18	M25	15	Pg16 Pg21	12
3	1"	22	1"	15	1"	22	M32	15	Pg21 Pg29	12 14
4	1"1/4	22	1"1/4	15	1"1/4	22	M40	15	Pg29	14
5	1"1/2	22	1"1/2	15	1"1/2	22	M50	15	Pg36	14
6	2"	22	2"	15	2"	22	M63	15	Pg42 Pg48	14
7	2"1/2	27	2"1/2	15	2"1/2	27	M75	15	Pg48	14
8	3"	27	3"	15	3"	27	M75/M85	15		

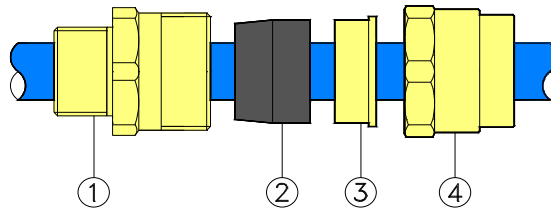
CABLE GLANDS REFERENCE

REFERENCE A DN FOR UNARMoured CABLE



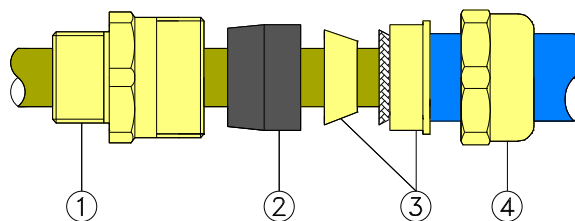
- 1 - Body
- 2 - Seal
- 3 - Press-ring
- 4 - Gland nut

REFERENCE B DNC FOR UNARMoured CABLE



- 1 - Body
- 2 - Seal
- 3 - Press-ring
- 4 - Gland nut

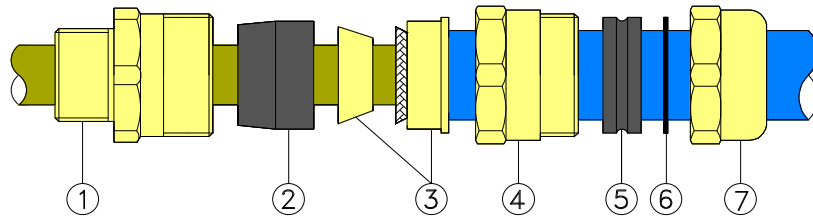
REFERENCE C DAS FOR ARMoured CABLE



- 1 - Body
- 2 - Seal
- 3 - Armour clamping rings
- 4 - Gland nut

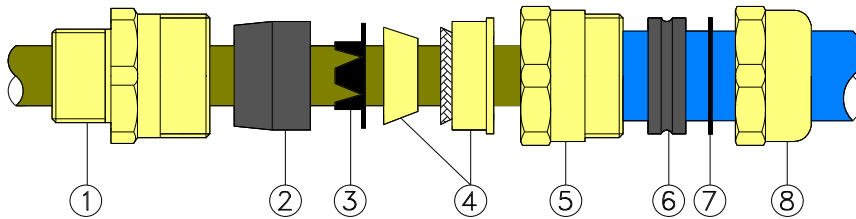
CABLE GLANDS REFERENCE

REFERENCE D DAD FOR ARMOURED CABLE



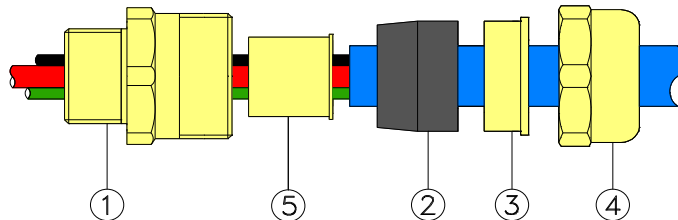
- 1 - Body
- 2 - Inner seal
- 3 - Armour clamping ring
- 4 - Middle body
- 5 - Outer seal
- 6 - Washer
- 7 - Gland nut

REFERENCE E DALD FOR ARMOURED AND LEAD SHEATHED CABLE



- 1 - Body
- 2 - Inner seal
- 3 - Lead ring
- 4 - Armour clamping ring
- 5 - Middle body
- 6 - Outer seal
- 7 - Washer
- 8 - Gland nut

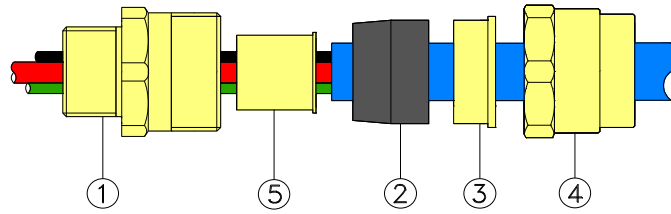
REFERENCE F DNR FOR UNARMoured CABLE



- 1 - Body
- 2 - Seal
- 3 - Press-ring
- 4 - Gland nut
- 5 - Sealing chamber

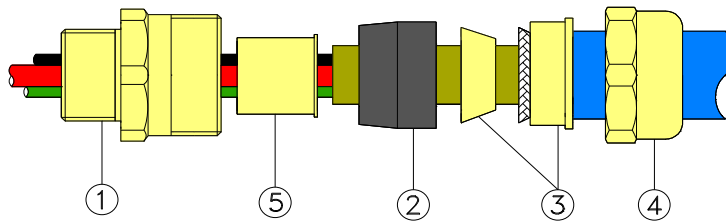
CABLE GLANDS REFERENCE

**REFERENCE G
DNCR FOR UNARMoured CABLE**



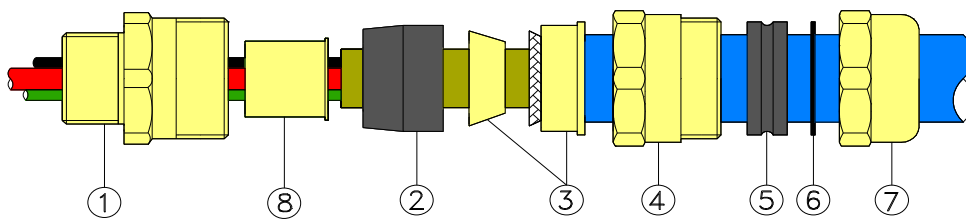
- 1 - Body
- 2 - Seal
- 3 - Press-ring
- 4 - Gland nut
- 5 - Sealing chamber

**REFERENCE H
DASR FOR ARMoured CABLE**



- 1 - Body
- 2 - Seal
- 4 - Gland nut
- 5 - Sealing chamber

**REFERENCE I
DADR FOR ARMoured CABLE**

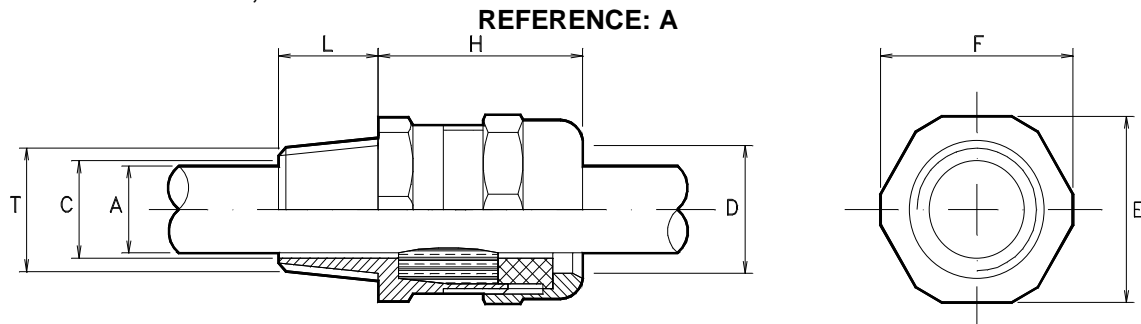


- 1 - Body
- 2 - Inner seal
- 3 - Armour clamping ring
- 4 - Middle body
- 5 - Outer seal
- 6 - Washer
- 7 - Gland nut
- 8 - Sealing chamber

CABLE GLANDS

DN series

For unarmoured cable, outer seal.



L=Thread length: see comparison table.

Thread		Cable dimensions			Gland dimensions				
SIZE	T	TYPE	A		C mm	D mm	H mm	E mm	F mm
			min	max					
0	3/8"NPT - M16x1,5 - Pg9/11 1/2"NPT - M20x1,5 - Pg13,5	DN0.7	4	7	11	16	33	24	26
		DN0.10	7	10					
1	1/2"NPT - M20x1,5 - Pg13,5 3/4"NPT - M25x1,5 - Pg16	DN1.8	5,5	8	14	20	41	32	35
		DN1.10	8	10,5					
		DN1.13	10,5	13					
2	3/4"NPT - M25x1,5 - Pg16	DN2.13	10,5	13	19	25	41	36	39
		DN2.15	13	15,5					
		DN2.18	15,5	18					
3	1"NPT - M32x1,5 - Pg21	DN3.18	15	18	25	32	52	45	49
		DN3.21	18	21					
		DN3.24	21	24					
4	1"1/4NPT - M40x1,5 - Pg29	DN4.24	21	24	31	38	53	50	55
		DN4.27	24	27					
		DN4.30	27	30					
5	1"1/2NPT - M50x1,5 - Pg36	DN5.27	24	27	37	44	53	57	62
		DN5.30	27	30					
		DN5.33	30	33					
		DN5.36	33	36					
6	2"NPT - M63x1,5 - Pg42	DN6.39	36	39	47	54	53	67	73
		DN6.42	39	42					
		DN6.45	42	45					
7	2"1/2NPT - M75x1,5 - Pg48	DN7.48	45	48	57	65	53	80	88
		DN7.51	48	51					
		DN7.54	51	54					

Note: sample of designation: **DN1.10 M20x1,5**

APPLICATION

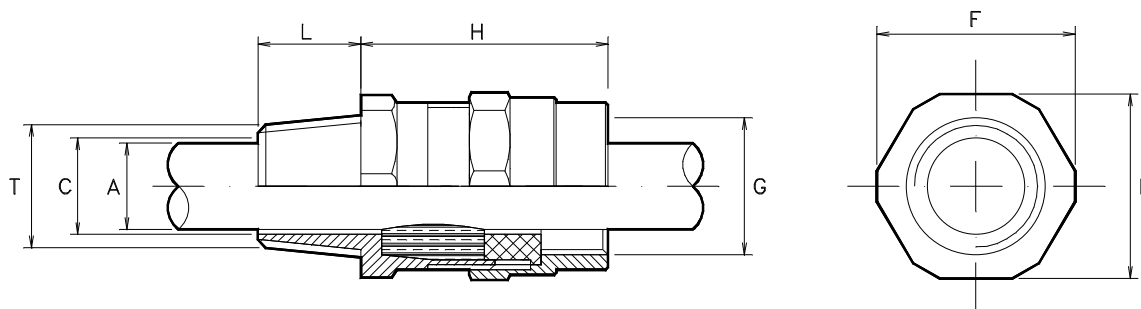
For general use, indoors and outdoors.
Protection degree IP66.

CABLE GLANDS

DNC series

For unarmoured cable, outer seal.
Suitable for flexible conduit coupling.

REFERENCE: B



L=Thread length: see comparison table.

SIZE	Thread	Cable dimensions		Gland dimensions					
	T	TYPE	A		C	H	E	F	G
			min	max	mm	mm	mm	mm	mm
1	1/2"NPT - M20x1,5 - Pg13,5 3/4"NPT - M25x1,5 - Pg16	DNC1.8	5,5	8	14	41	32	35	1/2"
		DNC1.10	8	10,5					
		DNC1.13	10,5	13					
2	3/4"NPT - M25x1,5 - Pg16	DNC2.13	10,5	13	19	41	36	39	3/4"
		DNC2.15	13	15,5					
		DNC2.18	15,5	18					
3	1"NPT - M32x1,5 - Pg21	DNC3.18	15	18	25	52	45	49	1"
		DNC3.21	18	21					
		DNC3.24	21	24					
4	1"1/4NPT - M40x1,5 - Pg29	DNC4.24	21	24	31	53	50	55	1"1/4
		DNC4.27	24	27					
		DNC4.30	27	30					
5	1"1/2NPT - M50x1,5 - Pg36	DNC5.27	24	27	37	53	57	62	1"1/2
		DNC5.30	27	30					
		DNC5.33	30	33					
		DNC5.36	33	36					
6	2"NPT - M63x1,5 - Pg42	DNC6.39	36	39	47	53	67	73	2"
		DNC6.42	39	42					
		DNC6.45	42	45					

Note: sample of designation: **DNC1.10 M20x1,5**

NOTE: thread **G**=ISO 7/1 RP-BSPP
Other threads on request.

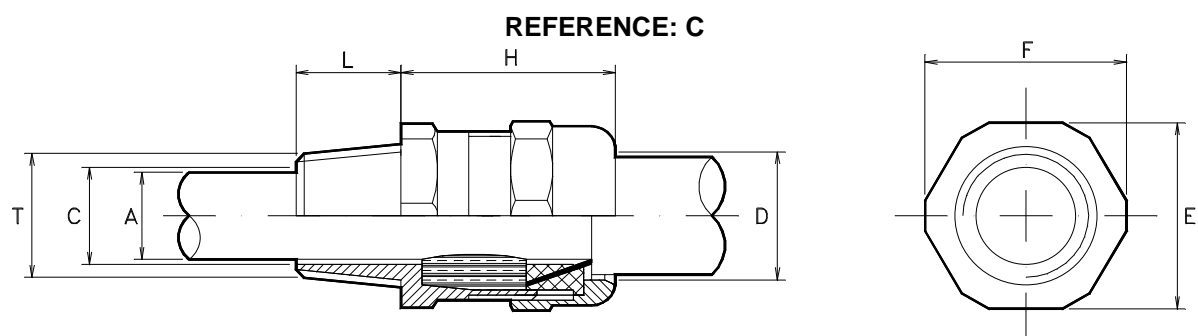
APPLICATION

For general use, indoors and outdoors.
Protection degree IP66

CABLE GLANDS

DAS series

For armoured cable, inner seal under armour and armour grounding.



L=Thread length: see comparison table.

Thread		Cable dimensions			Gland dimensions				
SIZE	T	TYPE	A		C mm	D mm	H mm	E mm	F mm
			min	max					
0	3/8"NPT - M16x1,5 - Pg9/11 1/2"NPT - M20x1,5 - Pg13,5	DAS0.7	4	7	11	16	33	24	26
		DAS0.10	7	10					
1	1/2"NPT - M20x1,5 - Pg13,5 3/4"NPT - M25x1,5 - Pg16	DAS1.8	5,5	8	14	20	41	32	35
		DAS1.10	8	10,5					
		DAS1.13	10,5	13					
2	3/4"NPT - M25x1,5 - Pg16	DAS2.13	10,5	13	19	25	41	36	39
		DAS2.15	13	15,5					
		DAS2.18	15,5	18					
3	1"NPT - M32x1,5 - Pg21	DAS3.18	15	18	25	32	52	45	49
		DAS3.21	18	21					
		DAS3.24	21	24					
4	1"1/4NPT - M40x1,5 - Pg29	DAS4.24	21	24	31	38	53	50	55
		DAS4.27	24	27					
		DAS4.30	27	30					
5	1"1/2NPT - M50x1,5 - Pg36	DAS5.27	24	27	37	44	53	57	62
		DAS5.30	27	30					
		DAS5.33	30	33					
		DAS5.36	33	36					
6	2"NPT - M63x1,5 - Pg42	DAS6.39	36	39	47	54	53	67	73
		DAS6.42	39	42					
		DAS6.45	42	45					
7	2"1/2NPT - M75x1,5 - Pg48	DAS7.48	45	48	57	65	53	80	88
		DAS7.51	48	51					
		DAS7.54	51	54					

Note: sample of designation: **DAS1.10 M20x1,5**

APPLICATION

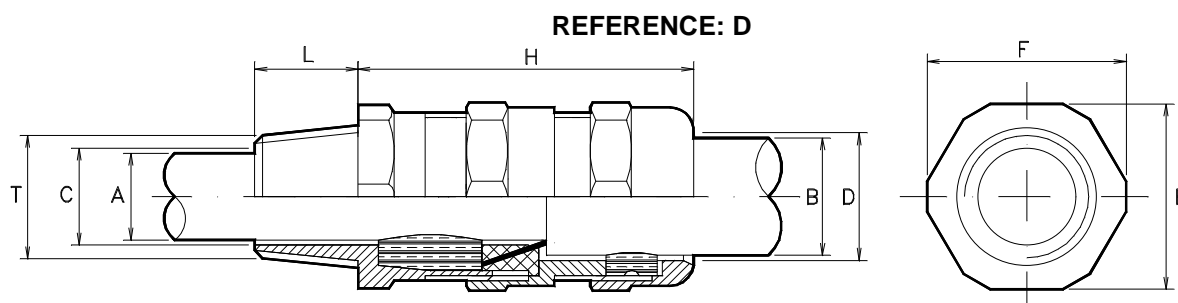
For indoors, without armour protection.

Protection degree IP66

CABLE GLANDS

DAD series

For armoured cable, inner and outer seals, armour grounding.



L=Thread length: see comparison table.

Thread		Cable dimensions					Gland dimensions				
SIZE	T	TYPE	A		B		C mm	D mm	H mm	E mm	F mm
			min	max	min	max					
0	3/8"NPT - M16x1,5 - Pg9/11 1/2"NPT-M20x1,5-Pg13,5	DAD0.7	4	7	10	15	11	16	53	24	26
		DAD0.10	7	10							
1	1/2"NPT - M20x1,5 - Pg13,5 3/4"NPT - M25x1,5 - Pg16	DAD1.8*	5,5	8	10 14	15 19	11	20	65	32	35
		DAD1.10*	8	10,5							
		DAD1.13*	10,5	13							
2	3/4"NPT - M25x1,5 - Pg16	DAD2.13*	10,5	13	15 19	20 24	14	25	65	36	39
		DAD2.15*	13	15,5							
		DAD2.18*	15,5	18							
3	1"NPT - M32x1,5 - Pg21	DAD3.18*	15	18	20 25	26 31	25	32	82	45	49
		DAD3.21*	18	21							
		DAD3.24*	21	24							
4	1 1/4"NPT - M40x1,5 - Pg29	DAD4.24*	21	24	26 31	32 37	31	38	83	50	55
		DAD4.27*	24	27							
		DAD4.30*	27	30							
5	1 1/2"NPT - M50x1,5 - Pg36	DAD5.27*	24	27	31 36	37 43	37	44	83	57	62
		DAD5.30*	27	30							
		DAD5.33*	30	33							
		DAD5.36*	33	36							
6	2"NPT - M63x1,5 - Pg42	DAD6.39*	36	39	42 47	48 53	47	54	83	67	73
		DAD6.42*	39	42							
		DAD6.45*	42	45							
7	2 1/2"NPT - M75x1,5 - Pg48	DAD7.48*	45	48	52 58	58 64	57	65	83	80	88
		DAD7.51*	48	51							
		DAD7.54*	51	54							

Note: sample of designation: **DAD1.1015 M20x1,5**

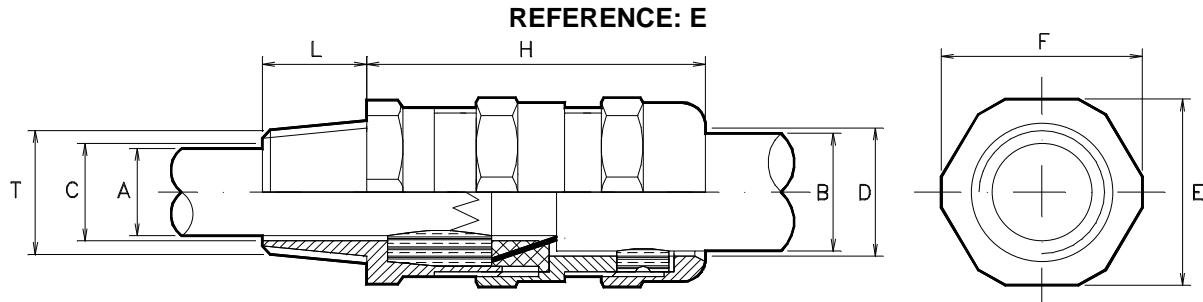
APPLICATION

Outdoors with complete protection of cable armour.
Protection degree IP66

CABLE GLANDS

DALD series

For armoured and lead sheathed cable, inner and outer seals, armour and lead grounding.



L=Thread length: see comparison table.

Thread		Cable dimensions					Gland dimensions				
SIZE	T	TYPE	A		B		C mm	D mm	H mm	E mm	F mm
			min	max	min	max					
1	1/2"NPT - M20x1,5 - Pg13,5 3/4"NPT - M25x1,5 - Pg16	DALD1.8*	4,5	6	10 14	15 19	14	20	41	32	35
		DALD1.10*	6	8,5							
		DALD1.13*	8,5	11							
2	3/4"NPT - M25x1,5 - Pg16	DALD2.13*	8,5	11	15 19	20 24	19	25	41	36	39
		DALD2.15*	11	13,5							
		DALD2.18*	13,5	16							
3	1"NPT - M32x1,5 - Pg21	DALD3.18*	13	16	20 25	26 31	25	32	52	45	49
		DALD3.21*	16	19							
		DALD3.24*	19	22							
4	1"1/4NPT - M40x1,5 - Pg29	DALD4.24*	19	22	26 31	32 37	31	38	53	50	55
		DALD4.27*	22	25							
		DALD4.30*	25	28							
5	1"1/2NPT - M50x1,5 - Pg36	DALD5.27*	22	25	31 36	37 43	37	44	53	57	62
		DALD5.30*	25	28							
		DALD5.33*	28	30							
		DALD5.36*	31	34							
6	2"NPT - M63x1,5 - Pg42	DALD6.39*	34	37	42 47	48 53	47	54	53	67	73
		DALD6.42*	37	40							
		DALD6.45*	40	43							
7	2"1/2NPT - M75x1,5 - Pg48	DALD7.48*	43	46	52 58	58 64	57	65	53	80	88
		DALD7.51*	46	49							
		DALD7.54*	49	52							

Note: sample of designation: **DALD1.1015 M20x1,5**

APPLICATION

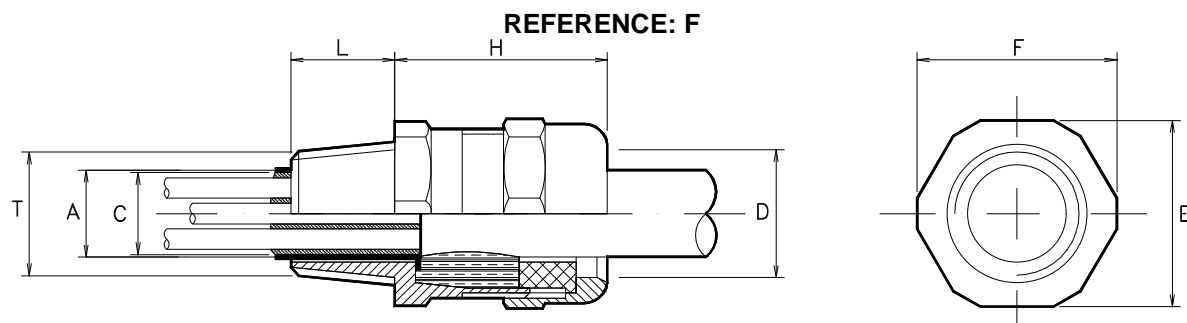
For outdoors with complete protection of cable armour.
Protection degree IP66

FIRE BARRIER CABLE GLANDS

DNR series

For unarmoured cable, outer seal.

Suitable for enclosures over 2 litres whit sparking equipments (EN 60079-14 para 10.3.2)



L=Thread lenght: see comparison table.

Thread		Cable dimensions			Gland dimensions				
SIZE	T	TYPE	A		C	D	H	E	F
			min	max	mm	mm	mm	mm	mm
1	1/2"NPT - M20x1,5 - Pg13,5 3/4"NPT - M25x1,5 - Pg16	DNR1.8	5,5	8	12	20	41	32	35
		DNR1.10	8	10,5					
		DNR1.13	10,5	13					
2	3/4"NPT - M25x1,5 - Pg16	DNR2.13	10,5	13	17	25	41	36	39
		DNR2.15	13	15,5					
		DNR2.18	15,5	18					
3	1"NPT - M32x1,5 - Pg21	DNR3.18	15	18	23	32	52	45	49
		DNR3.21	18	21					
		DNR3.24	21	24					
4	1"1/4NPT - M40x1,5 - Pg29	DNR4.24	21	24	29	38	53	50	55
		DNR4.27	24	27					
		DNR4.30	27	30					
5	1"1/2NPT - M50x1,5 - Pg36	DNR5.27	24	27	35	44	53	57	62
		DNR5.30	27	30					
		DNR5.33	30	33					
		DNR5.36	33	36					
6	2"NPT - M63x1,5 - Pg42	DNR6.39	36	39	45	54	53	67	73
		DNR6.42	39	42					
		DNR6.45	42	45					
7	2"1/2NPT - M75x1,5 - Pg48	DNR7.48	45	48	55	65	53	80	88
		DNR7.51	48	51					
		DNR7.54	51	54					

Note: sample of designation: **DNR1.10 M20x1,5**

APPLICATION

For general use, indoors and outdoors.

Protection degree IP66.

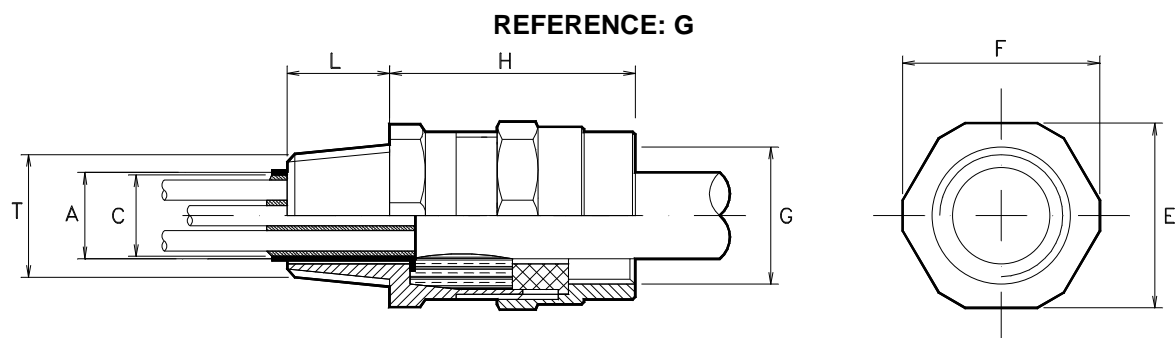
FIRE BARRIER CABLE GLANDS

DNCR series

For unarmoured cable, outer seal.

Suitable for flexible conduit coupling.

Suitable for enclosures over 2 litres whit sparking equipments (EN 60079-14 para 10.3.2)



L=Thread length: see comparison table.

SIZE	Thread	Cable dimensions		Gland dimensions					
	T	TYPE	min	max	C mm	H mm	E mm	F mm	G mm
1	1/2"NPT - M20x1,5 - Pg13,5 3/4"NPT - M25x1,5 - Pg16	DNCR1.8	5,5	8	12	42	32	35	1/2"
		DNCR1.10	8	10,5					
		DNCR1.13	10,5	13					
2	3/4"NPT - M25x1,5 - Pg16	DNCR2.13	10,5	13	17	45	36	39	3/4"
		DNCR2.15	13	15,5					
		DNCR2.18	15,5	18					
3	1"NPT - M32x1,5 - Pg21	DNCR3.18	15	18	23	54	45	49	1"
		DNCR3.21	18	21					
		DNCR3.24	21	24					
4	1"1/4NPT - M40x1,5 - Pg29	DNCR4.24	21	24	29	55	50	55	1"1/4
		DNCR4.27	24	27					
		DNCR4.30	27	30					
5	1"1/2NPT - M50x1,5 - Pg36	DNCR5.27	24	27	35	55	57	62	1"1/2
		DNCR5.30	27	30					
		DNCR5.33	30	33					
		DNCR5.36	33	36					
6	2"NPT - M63x1,5 - Pg42	DNCR6.39	36	39	45	55	67	73	2"
		DNCR6.42	39	42					
		DNCR6.45	42	45					

Note: sample of designation: **DNCR1.10 M20x1,5**

NOTE: thread **G**=ISO 7/1 RP-BSPP

Other threads on request.

APPLICATION

For general use, indoors and outdoors.

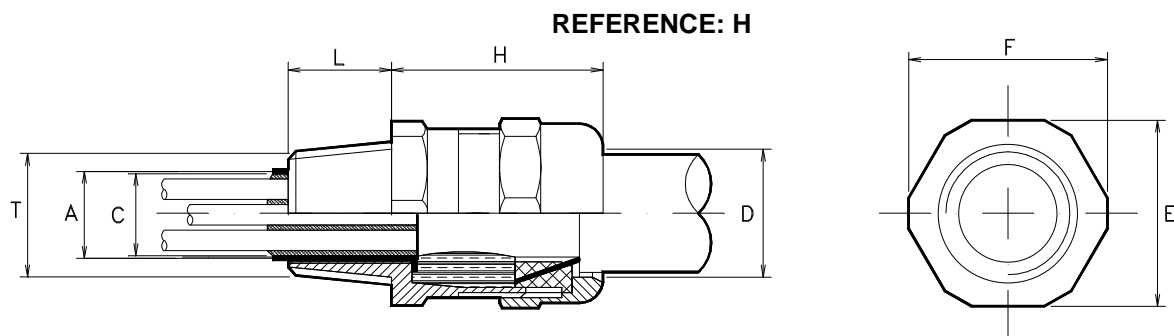
Protection degree IP66.

FIRE BARRIER CABLE GLANDS

DASR series

For armoured cable, inner seal under armour and armour grounding.

Suitable for enclosures over 2 litres whit sparking equipments (EN 60079-14 para 10.3.2)



L=Thread length: see comparison table.

SIZE	Thread	Cable dimensions			Gland dimensions				
	T	TYPE	A		C mm	D mm	H mm	E mm	F mm
			min	max					
1	1/2"NPT - M20x1,5 - Pg13,5 3/4"NPT - M25x1,5 - Pg16	DASR1.8	5,5	8	12	20	41	32	35
		DASR1.10	8	10,5					
		DASR1.13	10,5	13					
2	3/4"NPT - M25x1,5 - Pg16	DASR2.13	10,5	13	17	25	41	36	39
		DASR2.15	13	15,5					
		DASR2.18	15,5	18					
3	1"NPT - M32x1,5 - Pg21	DASR3.18	15	18	25	32	52	45	49
		DASR3.21	18	21					
		DASR3.24	21	24					
4	1"1/4NPT - M40x1,5 - Pg29	DASR4.24	21	24	29	38	53	50	55
		DASR4.27	24	27					
		DASR4.30	27	30					
5	1"1/2NPT - M50x1,5 - Pg36	DASR5.27	24	27	35	44	53	57	62
		DASR5.30	27	30					
		DASR5.33	30	33					
		DASR5.36	33	36					
6	2"NPT - M63x1,5 - Pg42	DASR6.39	36	39	45	54	53	67	73
		DASR6.42	39	42					
		DASR6.45	42	45					
7	2"1/2NPT - M75x1,5 - Pg48	DASR7.48	45	48	55	65	53	80	88
		DASR7.51	48	51					
		DASR7.54	51	54					

Note: sample of designation: **DASR1.10 M20x1,5**

APPLICATION

For indoors, without armour protection.

Protection degree IP66.

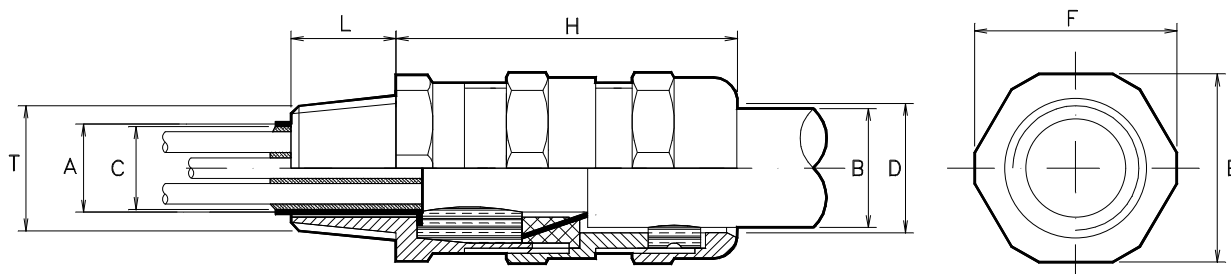
FIRE BARRIER CABLE GLANDS

DADR series

For armoured cable, inner and outer seals, armour grounding.

Suitable for enclosures over 2 litres whit sparking equipments (EN 60079-14 para 10.3.2)

REFERENCE: I



L=Thread length: see comparison table.

Thread		Cable dimensions					Gland dimensions				
SIZE	T	TYPE	A		B		C	D	H	E	F
			min	max	min	max	mm	mm	mm	mm	mm
1	1/2"NPT - M20x1,5 - Pg13,5 3/4"NPT - M25x1,5 - Pg16	DADR1.8*	5,5	8	10 14	15 19	12	20	65	32	35
		DADR1.10*	8	10,5							
		DADR1.13*	10,5	13							
2	3/4"NPT - M25x1,5 - Pg16	DADR2.13*	10,5	13	15 19	20 24	17	25	65	36	39
		DADR2.15*	13	15,5							
		DADR2.18*	15,5	18							
3	1"NPT - M32x1,5 - Pg21	DADR3.18*	15	18	20 25	26 31	23	32	82	45	49
		DADR3.21*	18	21							
		DADR3.24*	21	24							
4	1"1/4NPT - M40x1,5 - Pg29	DADR4.24*	21	24	26 31	32 37	29	38	83	50	55
		DADR4.27*	24	27							
		DADR4.30*	27	30							
5	1"1/2NPT - M50x1,5 - Pg36	DADR5.27*	24	27	31 36	37 43	35	44	83	57	62
		DADR5.30*	27	30							
		DADR5.33*	30	33							
6	2"NPT - M63x1,5 - Pg42	DADR6.39*	36	39	42 47	48 53	45	54	83	67	73
		DADR6.42*	39	42							
		DADR6.45*	42	45							
7	2"1/2NPT - M75x1,5 - Pg48	DADR7.48*	45	48	52 58	58 64	55	65	83	80	88
		DADR7.51*	48	51							
		DADR7.54*	51	54							

Note: sample of designation: **DADR1.1015 M20x1,5**

APPLICATION

For outdoors with complete protection of cable armour.

Protection degree IP66

ACCESSORIES

TRHEADS DESIGNATION

B	BSPP/UNI338 (ISO 7/1 Rp)
U	UNI6125 (ISO 7/1 Rc)
N	NPT (ANSI B1 20.1)
I	ISO Mx1,5 (ISO 261)
P	Pg (DIN 40430)

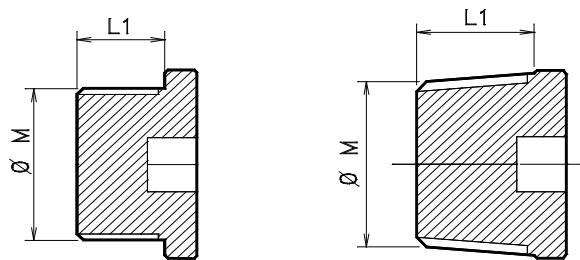
THREADS COMPARISON TABLE

SIZE FILETTATURA	0	1	2	3	4	5	6	7	8
U		1/2"	3/4"	1"	1"1/4	1"1/2	2"	2"1/2	3"
N		1/2"	3/4"	1"	1"1/4	1"1/2	2"	2"1/2	3"
B	3/8"	1/2"	3/4"	1"	1"1/4	1"1/2	2"	2"1/2	3"
I	M16	M20	M25	M32	M40	M50	M63	M75	M85
P	Pg11	Pg13,5	Pg16	Pg21	Pg29	Pg36	Pg42	Pg48	

1. STOPPING PLUGS

T male stopping plugs series

Male stopping plugs of all kind of threads, suitable for enclosure entries



Stopping plugs type
T xa

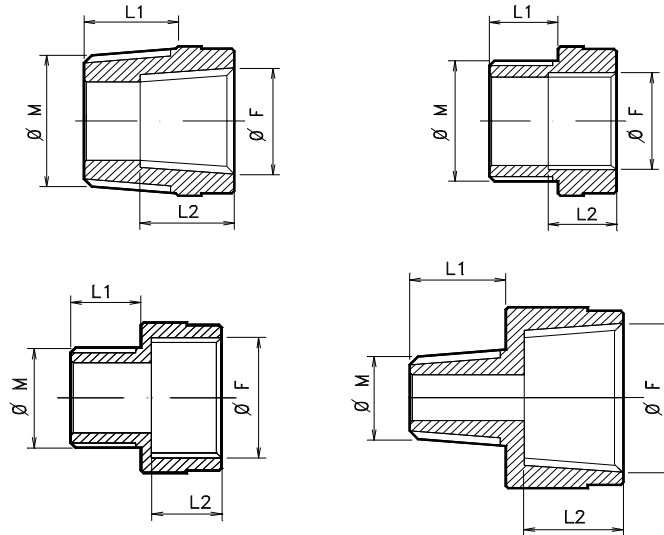
T = stopping plugs
x = M thread type
a = M thread size

ACCESSORIES

2. REDUCERS AND ADAPTORS

R reducer series

M/F thread reducers : M and F same threads

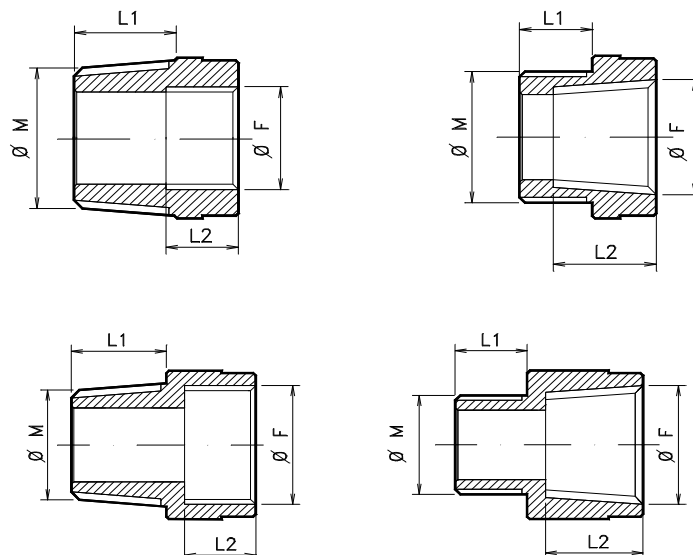


M/F
reducer type
R xa yb

R = reducer
x = M thread type
a = M thread size
y = F thread type
b = F thread size

A adaptor series

M/F thread adaptors : M and F different threads



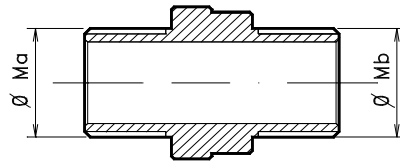
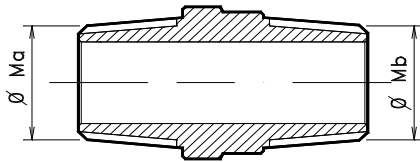
M/F adaptor type
A xa yb

A = adaptor
x = M thread type
a = M thread size
y = F thread type
b = F thread size

ACCESSORIES

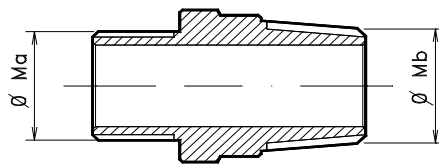
RM reducer or AM adaptor series

M/M thread reducer / adaptor : M and M same threads



M/M reducer type
RM xa yb

RM = reducer
x = M thread type
a = M thread size
y = M thread type
b = M thread size

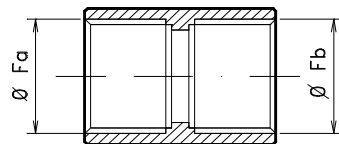
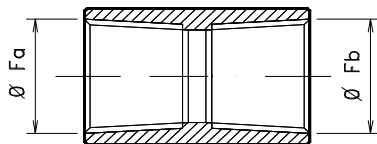


M/M adaptor type
AM xa yb

AM = adaptor
x = M thread type
a = M thread size
y = M thread type
b = M thread size

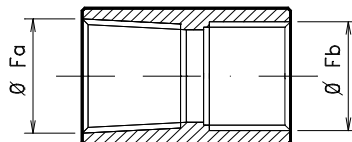
RF reducer or AF adaptor series

F/F thread reducer / adaptor : F and F same threads



F/F reducer type
RF xa yb

RF = reducer
x = F thread type
a = F thread size
y = F thread type
b = F thread size



F/F adaptor type
AF xa yb

AF = adaptor
x = F thread type
a = F thread size
y = F thread type
b = F thread size

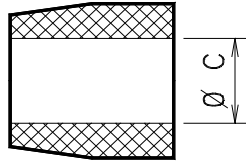
ACCESSORIES

3. SEALS

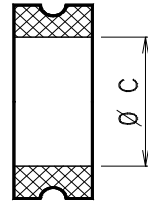
Material :

- EPDM rubber, suitable for - 40°+ 80°C temperature
- Silicone, suitable for - 60°+ 180°C temperature

INNER SEALS



OUTER SEAL



Size	C	EExd / EExe	
		min	max
0	7	4	7
	10	7	10
1	8	5,5	8
	10,5	8	10,5
	13	10,5	13
2	13	10,5	13
	15,5	13	15,5
	18	15,5	18
3	18	15	18
	21	18	21
	24	21	24
4	24	21	24
	27	24	27
	30	27	30
5	27	24	27
	30	27	30
	33	30	33
	36	33	36
6	39	36	39
	42	39	42
	45	42	45
7	48	45	48
	51	48	51
	54	51	54

Size	C	IP55	
		min	max
0	15	10	15
	15	10	15
1	15	10	15
	19	14	19
2	20	15	10
	24	19	24
3	26	20	26
	31	25	31
4	32	26	32
	37	31	37
5	37	31	37
	43	36	43
6	48	42	48
	53	47	53
7	58	52	58
	64	58	64

ACCESSORIES

4. OTHER ACCESSORIES

SHROUDS

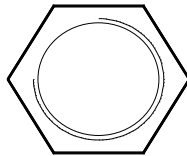
PCP rubber shrouds for cable glands as additional protection against onerous weather conditions.



Series	Size
PTD	From 0 to 6

LOCKNUTS

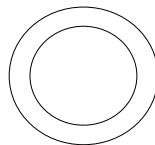
Locknuts for cable glands, thread adaptors and reducers.



Series	Thread
LB	BSPP / UNI 338
LI	ISO Mx1,5
LP	Pg

GASKETS

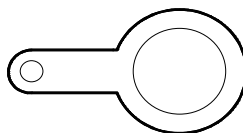
Nylon gaskets



Series	Thread
GB	BSPP / UNI 338
GI	ISO Mx1,5
GP	Pg

EARTHING – TAGS

Earthing – tags for cable glands grounding



Series	Thread
ETB	BSPP / UNI 338
ETI	ISO Mx1,5
ETP	Pg