

CATALOG
Edition 2022

CABLE GLANDS AND ACCESSORIES



icg

Via Trieste, 52
28066 Galliate (No) - ITALY

Tel.: +39 0321 807229
Fax: + 39 0321 866887
E-mail: info@icg-srl.com
Pec: icg-srl@pec.it
Web: www.icg-srl.com

Chapter	Page
1. CERTIFICATION	4
2. GENERAL INFORMATIONS	5 - 8
2.1 Technical advisory service and guarantee	5
2.2 Materials	6
2.3 Thread	7
2.4 How to order	8
3. PRODUCTS	9 - 31
<u>3.1 CABLE GLANDS</u>	
3.1a DN series	9 - 10
3.1b DNC series	11 - 12
3.1c DAS series	13 - 14
3.1d DAD series	15 - 16
3.1e DALD series	17 - 18
<u>3.2 FIRE BARRIER CABLE GLANDS</u>	
3.2a DNR series	19 - 20
3.2b DNCR series	21 - 22
3.2c DASR series	23 - 24
3.2d DADR series	25 - 26
<u>3.3 SEALS</u>	27
<u>3.4 STOPPING PLUGS T series</u>	28
<u>3.5 ADAPTORS AND REDUCERS</u>	
3.5a A series	29
3.5b R series	29
3.5c AM e RM series	30
3.5d AF e RF series	30
<u>3.6 ACCESSORIES</u>	31

Every product has been designed and manufactured i.a.w. IEC / CENELEC European Rules and EN recommendation, with approval by an ATEX / IEC notified body.

Product quality assurance certificate n. **IT 20 ATEX 058** released by notified body responsible for the production quality system surveillance **TÜV ITALIA S.r.l. N. 0948**

All items are manufactured for installation in the following areas:

- Safe areas : W.P. IP66 industrial execution
- Class 1 div. 1 areas : Exd IIB / IIC execution



	CERTIFICATION N°	REFERENCE STANDARDS	GROUP INSTALLATION	PROTECTION
ATEX	CEC 05/2045 AET120/rev1	CENELEC rules EN 50014 : 1998 + A1- A2 EN 50018 : 2000 + A1 EN 50019 : 2000 EN 50281-1-1 : 1998 + A1	II 2 GD	IP66 EExd/EExe
ATEX/IEC	CEC 09 ATEX 023 X/rev2	IEC rules IEC EN 60079-0 : 2004 IEC EN 60079-1 : 2007 IEC EN 60079-7 : 2006 IEC EN 61241-1 : 2004	II 2 GD	IP66 Exd/Exe
EAC	RU C-IT.AA87.B.00123/19	IEC rules IEC EN 60079-0 : 2011 IEC EN 60079-1 : 2011 IEC EN 60079-7 : 2006	II C Gb	IP66 1Exd/1Exe

NOTE: Cable glands and accessories are marked with ATEX/IEC certificate. The request for other types of marking (IP66, ATEX, EAC) must be clearly specified in the order .

CHARACTERISTICS OF PRODUCTS

Descriptions, drawings and dimensions of this publication are to be intended as products information only, not engaging nor binding the Company.

However, the Company reserves the right to modify specifications and products for their improvement.

2.1 TECHNICAL ADVISORY SERVICE AND GUARANTEE

TECHNICAL ADVISORY SERVICE

The Company maintains a Technical Advisory Service to assist you with problems concerning the correct selection of products according to required installation conditions.

All enquires should be addressed to our address.

info@icg-srl.com



GUARANTEE

The Company assures guarantee for products high quality and fault exempt manufacturing.

Guarantee duration is 12 months from the date of product testing at the factory or from the date of delivery in case of Customer's disclaim of testing.

Within the said term of 12 months, the Company will assume the charge to replace or repair faulty products at the factory, provided that defaults are not caused by Customer's touch or improper use of products.

Costs and risks of transports are at Customer charge.

2. GENERAL INFORMATIONS

2.2 MATERIALS

METALLIC PARTS

- Brass type CW 614 N
- Nickel/Chrome brass type CW 614 N
- Stainless steel type AISI 304 / 316

The nickel/chrome plating of brass represents a protection against corrosion, as it increases its resistance and it is necessary when the cable gland is installed in particular corrosive environments.



SEALS

EPDM: antiageing rubber, 60 ± 5 Shore hardness, with operating temperature range from -40°C up to $+80^{\circ}\text{C}$

SILICONE: rubber with operating temperature range from -50°C up to $+150^{\circ}\text{C}$.



NOTE: cable glands are supplied with EPDM rubber seals suitable for the size of the cables used. Silicone rubbers and seals' kit must be expressly requested when ordering

2.3 THREADS

Threads available in stock are:

- ISO 7/1 Rc
- NPT (ANSI B1 20.1)
- ISO Mx1,5 (ISO 261)

On demand:

- BSPP (ISO 7/1 Rp)
- Pg (DIN 40430)

THREADS COMPARISON TABLE

SIZE	THREADS									
	UNI 6125 ISO 7/1	L	BSPP/UNI 338 ISO R228	L	NPT ANSI B1 20.1	L	ISO Mx1,5 ISO 261	L	Pg DIN 40430	L
0			3/8"	15	3/8"	15	M16	15	Pg9 Pg11	12
1	1/2"	18	1/2"	15	1/2"	18	M20	15	Pg13,5 Pg16	12
2	3/4"	18	3/4"	15	3/4"	18	M25	15	Pg16 Pg21	12
3	1"	22	1"	15	1"	22	M32	15	Pg21 Pg29	12 14
4	1"1/4	22	1"1/4	15	1"1/4	22	M40	15	Pg29	14
5	1"1/2	22	1"1/2	15	1"1/2	22	M50	15	Pg36	14
6	2"	22	2"	15	2"	22	M63	15	Pg42 Pg48	14
7	2"1/2	27	2"1/2	15	2"1/2	27	M75	15	Pg48	14

2.4 HOW TO ORDER

For a correct order, provide the following information:

- Cable gland type (see designation example) or other product
- Thread type and size
- Type of material
- Possible protection against corrosion
- Any accessories
- Type of execution
- Type of marking

NOTE: Cable glands for armoured cables are supplied in normal execution, suitable for 0,3-0,9 mm braid or wire armour.
On request, cable glands can be supplied for 1-2,5mm armour wires.
For more detail concerning clamping of armour, please contact our TECHNICAL SERVICE or specify with order, armour type and dimensions.

		CABLE GLAND					FIRE BARRIER CABLE GLAND			
		DN	DNC	DAS	DAD	DALD	DNR	DNCR	DASR	DADR
CABLE TYPE	UNARMoured	X	X				X	X		
	ARMoured			X	X	X			X	X
	LEAD SHEATH					X				
SEALS	OUTER	X	X				X	X		
	INNER AND OUTER				X	X				X
	INNER SEAL UNDER ARMOUR			X					X	
	ARMOUR GROUNDING			X	X				X	X
	ARMOUR AND LEAD GROUNDING					X				
APPLICATION	GENERAL USE (INDOOR AND OUTDOOR)	X	X				X	X		
	INDOOR, WITHOUT ARMOUR PROTECTION			X					X	
	SUITABLE FOR FLEXIBLE CONDUIT COUPLING		X					X		
	OUTDOOR WITH COMPLETE PROTECTION OF CABLE ARMOUR				X	X				X
	SUITABLE FOR ENCLOSURES OVER 2 LITRES WITH SPARKING EQUIPMENTS						X	X	X	X
PROTECTION	IP66	X	X	X	X	X	X	X	X	X

3.1a CABLE GLAND - DN series

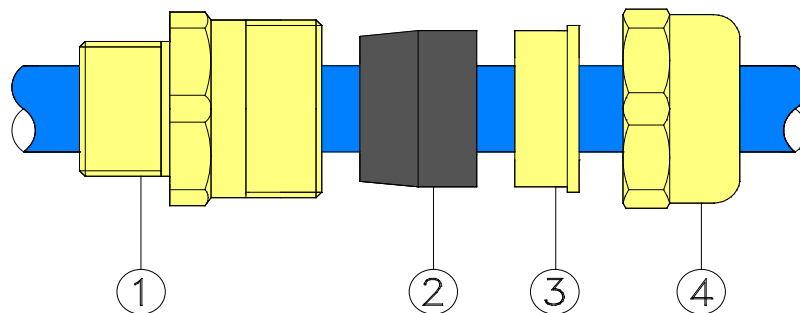


CHARACTERISTICS: For unarmoured cable, outer seal

APPLICATION: For general use, indoors and outdoors

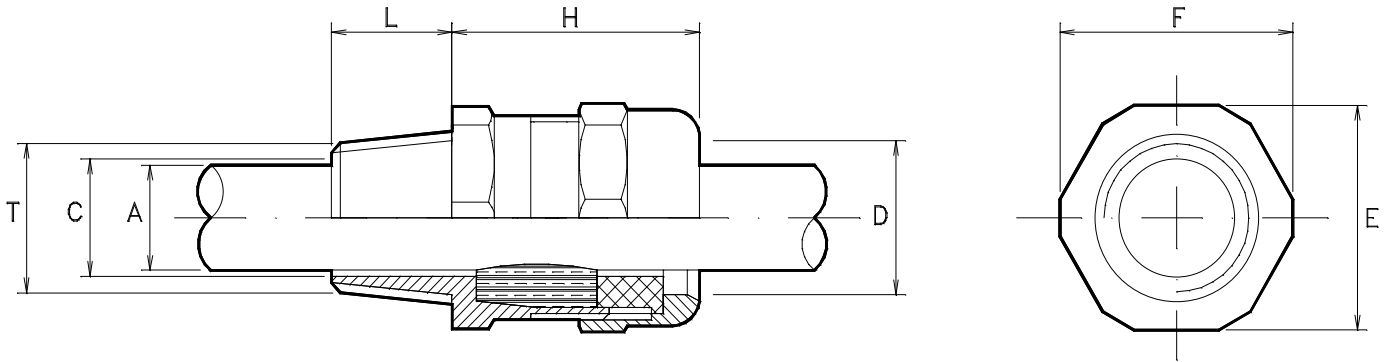
PROTECTION DEGREE: IP66.

**REFERENCE A
DN FOR UNARMOURED CABLE**



- 1 - Body
- 2 - Seal
- 3 - Press-ring
- 4 - Gland nut

→Sample of designation: **DN1.10 M20x1,5**



L=Thread length: see comparison table

Filettatura		Dimensione del cavo			Dimensione pressacavo				
SIZE	T	TYPE	A		C mm	D mm	H mm	E mm	F mm
			min	max					
0	3/8"NPT - M16x1,5 - Pg9/11 1/2"NPT - M20x1,5 - Pg13,5	DN0.10	7	10	11	16	33	24	26
1	1/2"NPT - M20x1,5 - Pg13,5 3/4"NPT - M25x1,5 - Pg16	DN1.8	5,5	8	14	20	41	32	35
		DN1.10	8	10,5					
		DN1.13	10,5	13					
2	3/4"NPT - M25x1,5 - Pg16	DN2.13	10,5	13	19	25	41	36	39
		DN2.15	13	15,5					
		DN2.18	15,5	18					
3	1"NPT - M32x1,5 - Pg21	DN3.18	15	18	25	32	52	45	49
		DN3.21	18	21					
		DN3.24	21	24					
4	1"1/4NPT - M40x1,5 - Pg29	DN4.24	21	24	31	38	53	50	55
		DN4.27	24	27					
		DN4.30	27	30					
5	1"1/2NPT - M50x1,5 - Pg36	DN5.27	24	27	37	44	53	57	62
		DN5.30	27	30					
		DN5.33	30	33					
		DN5.36	33	36					
6	2"NPT - M63x1,5 - Pg42	DN6.39	36	39	47	54	53	67	73
		DN6.42	39	42					
		DN6.45	42	45					
7	2"1/2NPT - M75x1,5 - Pg48	DN7.48	45	48	57	65	53	80	88
		DN7.51	48	51					
		DN7.54	51	54					

3.1b CABLE GLAND - DNC series

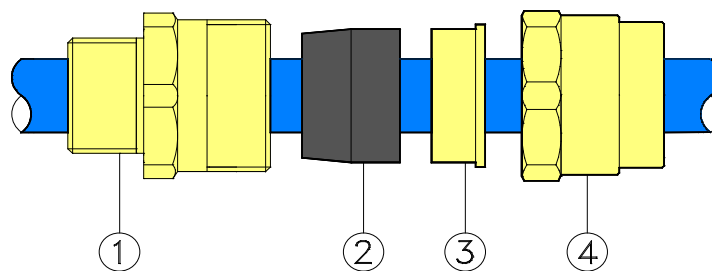


CHARACTERISTICS: For unarmoured cable, outer seal
Suitable for flexible conduit coupling

APPLICATION: General use, indoors and outdoors

PROTECTION DEGREE: IP66.

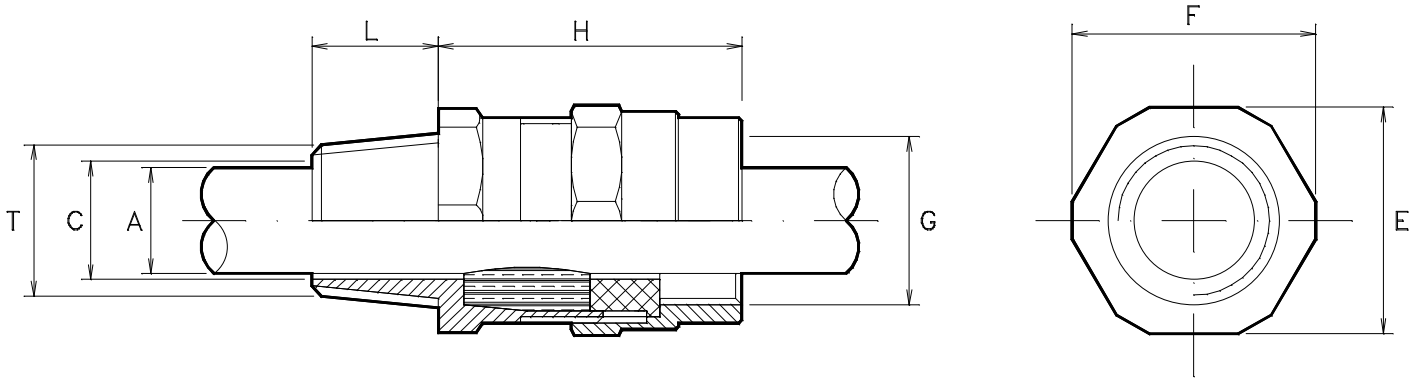
REFERENCE B
DNC FOR UNARMoured CABLE



- 1 - Body
- 2 - Seal
- 3 - Press-ring
- 4 - Gland nut

NOTE: thread **G**=ISO 7/1 RP-BSP. Other threads on request.

→Sample of designation: **DNC1.10 M20x1,5**



L=Thread length: see comparison table

SIZE	Thread T	Cable dimensions			Gland dimensions				
		TYPE	A		C mm	H mm	E mm	F mm	G mm
			min	max					
1	1/2"NPT - M20x1,5 - Pg13,5 3/4"NPT - M25x1,5 - Pg16	DNC1.8	5,5	8	14	41	32	35	1/2"
		DNC1.10	8	10,5					
		DNC1.13	10,5	13					
2	3/4"NPT - M25x1,5 - Pg16	DNC2.13	10,5	13	19	41	36	39	3/4"
		DNC2.15	13	15,5					
		DNC2.18	15,5	18					
3	1"NPT - M32x1,5 - Pg21	DNC3.18	15	18	25	52	45	49	1"
		DNC3.21	18	21					
		DNC3.24	21	24					
4	1"1/4NPT - M40x1,5 - Pg29	DNC4.24	21	24	31	53	50	55	1"1/4
		DNC4.27	24	27					
		DNC4.30	27	30					
5	1"1/2NPT - M50x1,5 - Pg36	DNC5.27	24	27	37	53	57	62	1"1/2
		DNC5.30	27	30					
		DNC5.33	30	33					
		DNC5.36	33	36					
6	2"NPT - M63x1,5 - Pg42	DNC6.39	36	39	47	53	67	73	2"
		DNC6.42	39	42					
		DNC6.45	42	45					

3.1c CABLE GLAND - DAS series

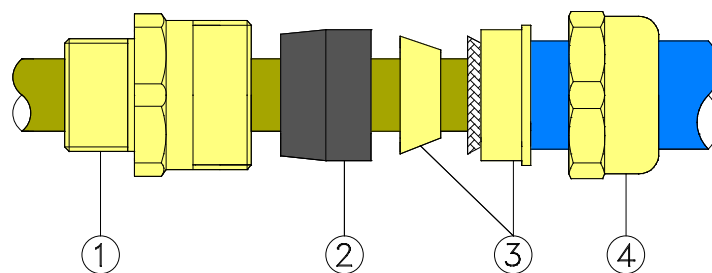


CHARACTERISTICS: For armoured cable, inner seal under armour and armour grounding

APPLICATION: For indoors, without armour protection

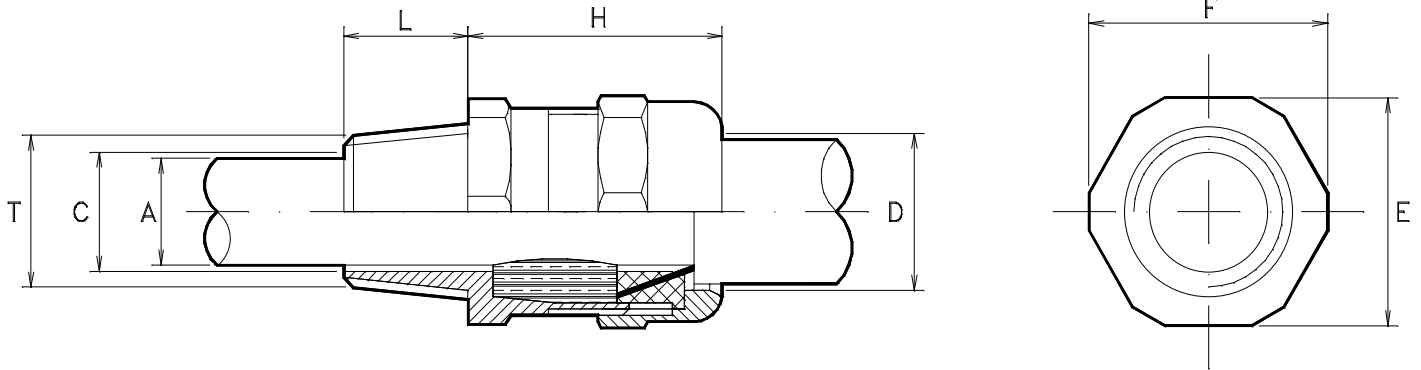
PROTECTION DEGREE: IP66.

RIEFERENCE C
DAS FOR ARMoured CABLE



- 1 - Body
- 2 - Seal
- 3 - Armour clamping rings
- 4 - Gland nut

→Sample of designation: **DAS1.10 M20x1,5**



L=Thread length: see comparison table

Filettatura		Dimensione del cavo			Dimensione del pressacavo				
SIZE	T	TYPE	A		C	D	H	E	F
			min	max					
0	3/8"NPT - M16x1,5 - Pg9/11	DAS0.10	7	10	11	16	33	24	26
	1/2"NPT - M20x1,5 - Pg13,5								
1	1/2"NPT - M20x1,5 - Pg13,5 3/4"NPT - M25x1,5 - Pg16	DAS1.8	5,5	8	14	20	41	32	35
		DAS1.10	8	10,5					
		DAS1.13	10,5	13					
2	3/4"NPT - M25x1,5 - Pg16	DAS2.13	10,5	13	19	25	41	36	39
		DAS2.15	13	15,5					
		DAS2.18	15,5	18					
3	1"NPT - M32x1,5 - Pg21	DAS3.18	15	18	25	32	52	45	49
		DAS3.21	18	21					
		DAS3.24	21	24					
4	1"1/4NPT - M40x1,5 - Pg29	DAS4.24	21	24	31	38	53	50	55
		DAS4.27	24	27					
		DAS4.30	27	30					
5	1"1/2NPT - M50x1,5 - Pg36	DAS5.27	24	27	37	44	53	57	62
		DAS5.30	27	30					
		DAS5.33	30	33					
		DAS5.36	33	36					
6	2"NPT - M63x1,5 - Pg42	DAS6.39	36	39	47	54	53	67	73
		DAS6.42	39	42					
		DAS6.45	42	45					
7	2"1/2NPT - M75x1,5 - Pg48	DAS7.48	45	48	57	65	53	80	88
		DAS7.51	48	51					
		DAS7.54	51	54					

3.1d CABLE GLAND- DAD series

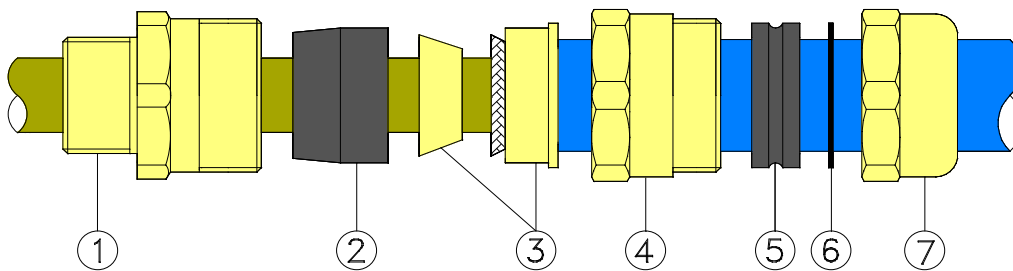


CHARACTERISTICS: For armoured cable, inner and outer seal, armour grounding

APPLICATION: Outdoors with complete protection of cable armour

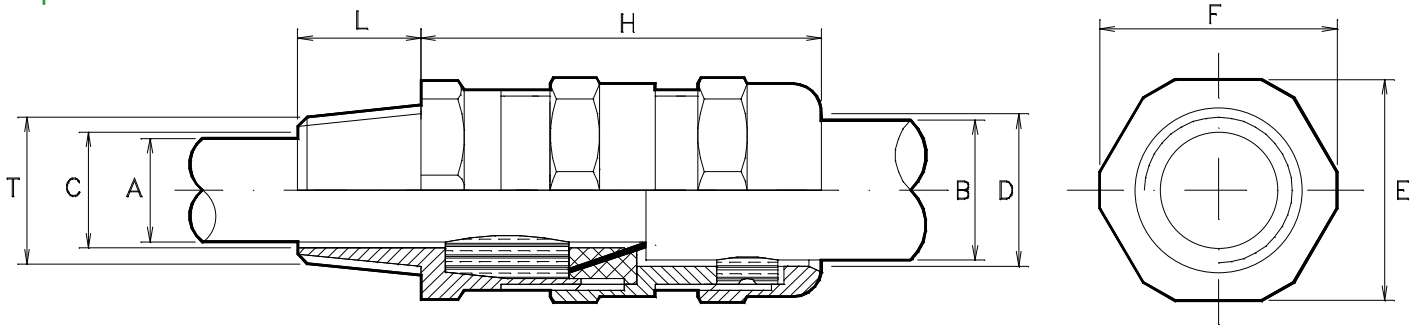
PROTECTION DEGREE: IP66.

REFERENCE D
DAD FOR ARMoured CABLE



- 1 - Body
- 2 - Inner seal
- 3 - Armour clamping ring
- 4 - Middle body
- 5 - Outer seal
- 6 - Washer
- 7 - Gland nut

→Sample of designation: **DAD1.1015 M20x1,5**



L=Thread length: see comparison table

Filettatura		Dimensione del cavo				Dimensione del pressacavo					
SIZE	T	TYPE	A		B		C	D	H	E	F
			min	max	min	max					
0	3/8"NPT - M16x1,5 - Pg9/11	DAD0.10*	7	10	10	15	11	16	53	24	26
1	1/2"NPT - M20x1,5 - Pg13,5 3/4"NPT - M25x1,5 - Pg16	DAD1.8*	5,5	8	10 14	15 19	11	20	65	32	35
		DAD1.10*	8	10,5							
		DAD1.13*	10,5	13							
2	3/4"NPT - M25x1,5 - Pg16	DAD2.13*	10,5	13	15 19	20 24	14	25	65	36	39
		DAD2.15*	13	15,5							
		DAD2.18*	15,5	18							
3	1"NPT - M32x1,5 - Pg21	DAD3.18*	15	18	20 25	26 31	25	32	82	45	49
		DAD3.21*	18	21							
		DAD3.24*	21	24							
4	1"1/4NPT - M40x1,5 - Pg29	DAD4.24*	21	24	26 31	32 37	31	38	83	50	55
		DAD4.27*	24	27							
		DAD4.30*	27	30							
5	1"1/2NPT - M50x1,5 - Pg36	DAD5.27*	24	27	31 36	37 43	37	44	83	57	62
		DAD5.30*	27	30							
		DAD5.33*	30	33							
		DAD5.36*	33	36							
6	2"NPT - M63x1,5 - Pg42	DAD6.39*	36	39	42 47	48 53	47	54	83	67	73
		DAD6.42*	39	42							
		DAD6.45*	42	45							
7	2"1/2NPT - M75x1,5 - Pg48	DAD7.48*	45	48	52 58	58 64	57	65	83	80	88
		DAD7.51*	48	51							
		DAD7.54*	51	54							

NOTE: * Indicate the B max value between the two options

3.1e CABLE GLAND - DALD series

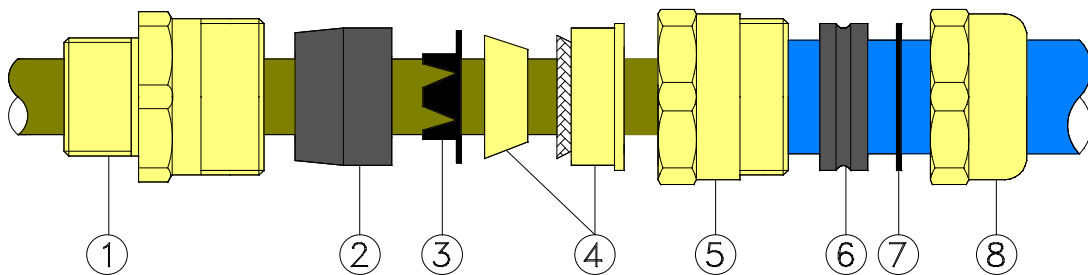


CHARACTERISTICS: For armoured and lead sheathed cable, inner and outer seals, armour and lead grounding.

APPLICATION: For outdoors with complete protection of cable armour.

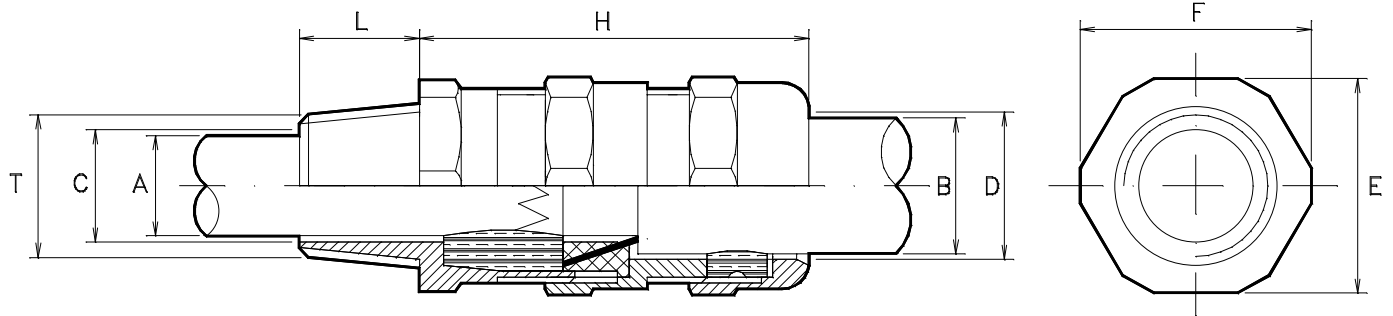
PROTECTION DEGREE: IP66.

REFERENCE E
DALD FOR ARMoured CABLE AND LEAD SHEATHED CABLE



- 1 - Body
- 2 - Inner seal
- 3 - Lead ring
- 4 - Armour clamping ring
- 5 - Middle body
- 6 - Outer seal
- 7 - Washer
- 8 - Gland nut

→Sample of designation: **DALD1.1015 M20x1,5**



L=Thread length: see comparison table

Thread		Cable dimension				Gland dimensions					
SIZE	T	TYPE	A		B		C	D	H	E	F
			min	max	min	max					
1	1/2"NPT - M20x1,5 - Pg13,5 3/4"NPT - M25x1,5 - Pg16	DALD1.8*	4,5	6	10 14	15 19	14	20	65	32	35
		DALD1.10*	6	8,5							
		DALD1.13*	8,5	11							
2	3/4"NPT - M25x1,5 - Pg16	DALD2.13*	8,5	11	15 19	20 24	19	25	65	36	39
		DALD2.15*	11	13,5							
		DALD2.18*	13,5	16							
3	1"NPT - M32x1,5 - Pg21	DALD3.18*	13	16	20 25	26 31	25	32	82	45	49
		DALD3.21*	16	19							
		DALD3.24*	19	22							
4	1"1/4NPT - M40x1,5 - Pg29	DALD4.24*	19	22	26 31	32 37	31	38	83	50	55
		DALD4.27*	22	25							
		DALD4.30*	25	28							
5	1"1/2NPT - M50x1,5 - Pg36	DALD5.27*	22	25	31 36	37 43	37	44	83	57	62
		DALD5.30*	25	28							
		DALD5.33*	28	30							
		DALD5.36*	31	34							
6	2"NPT - M63x1,5 - Pg42	DALD6.39*	34	37	42 47	48 53	47	54	83	67	73
		DALD6.42*	37	40							
		DALD6.45*	40	43							
7	2"1/2NPT - M75x1,5 - Pg48	DALD7.48*	43	46	52 58	58 64	57	65	83	80	88
		DALD7.51*	46	49							
		DALD7.54*	49	52							

NOTE: * Indicate the B max value between the two options

3.2a FIRE BARRIER CABLE GLAND- DNR series

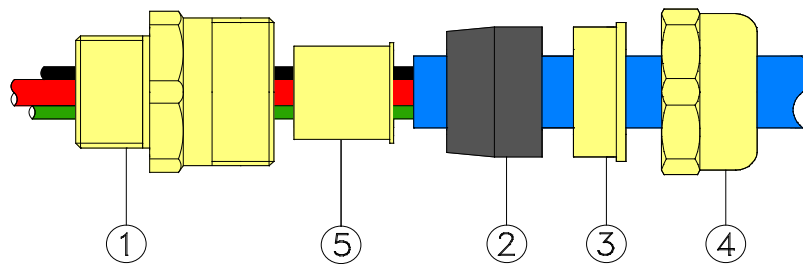


CHARACTERISTICS: For unarmoured cable, outer seal.
Suitable for enclosures over 2 litres whit sparking equipments

APPLICATION: For general use, indoors and outdoors

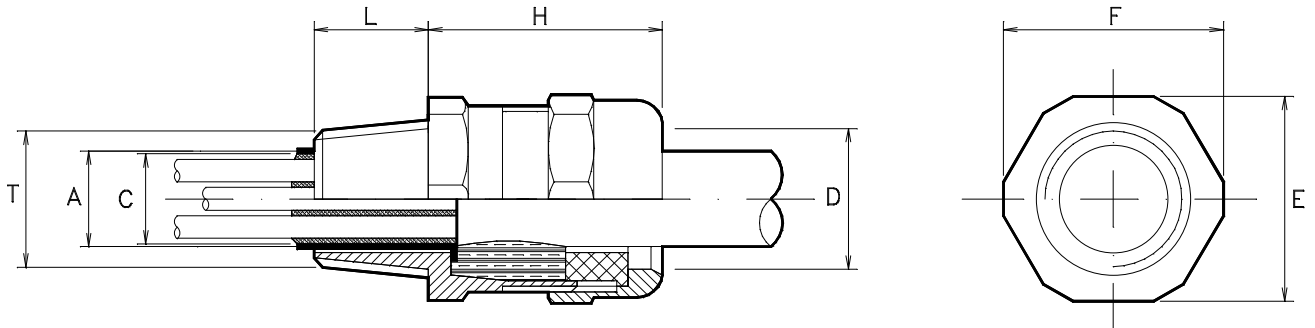
PROTECTION DEGREE: IP66.

REFERENCE F
DNR FOR UN ARMoured CABLE



- 1 - Body
- 2 - Seal
- 3 - Press-ring
- 4 - Gland nut
- 5 - Sealing chamber

→Sample of designation: **DNR1.10 M20x1,5**



L=Thread length: see comparison table

Thread		Cable dimensions			Gland dimensions				
SIZE	T	TYPE	A		C	D	H	E	F
			min	max					
1	1/2"NPT - M20x1,5 - Pg13,5 3/4"NPT - M25x1,5 - Pg16	DNR1.8	5,5	8	12	20	41	32	35
		DNR1.10	8	10,5					
		DNR1.13	10,5	13					
2	3/4"NPT - M25x1,5 - Pg16	DNR2.13	10,5	13	17	25	41	36	39
		DNR2.15	13	15,5					
		DNR2.18	15,5	18					
3	1"NPT - M32x1,5 - Pg21	DNR3.18	15	18	23	32	52	45	49
		DNR3.21	18	21					
		DNR3.24	21	24					
4	1"1/4NPT - M40x1,5 - Pg29	DNR4.24	21	24	29	38	53	50	55
		DNR4.27	24	27					
		DNR4.30	27	30					
5	1"1/2NPT - M50x1,5 - Pg36	DNR5.27	24	27	35	44	53	57	62
		DNR5.30	27	30					
		DNR5.33	30	33					
		DNR5.36	33	36					
6	2"NPT - M63x1,5 - Pg42	DNR6.39	36	39	45	54	53	67	73
		DNR6.42	39	42					
		DNR6.45	42	45					
7	2"1/2NPT - M75x1,5 - Pg48	DNR7.48	45	48	55	65	53	80	88
		DNR7.51	48	51					
		DNR7.54	51	54					

3.2b FIRE BARRIER CABLE GLAND - DNCR series

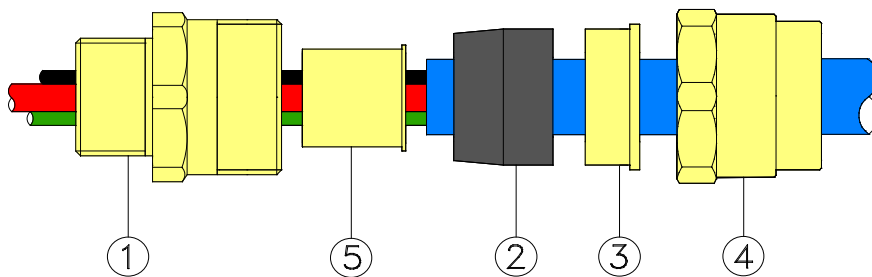


CHARACTERISTICS: For unarmoured cable, outer seal.
 Suitable for flexible conduit coupling.
 Suitable for enclosures over 2 litres with sparking equipments

APPLICATION: For general use, indoors and outdoors

PROTECTION DEGREE: IP66.

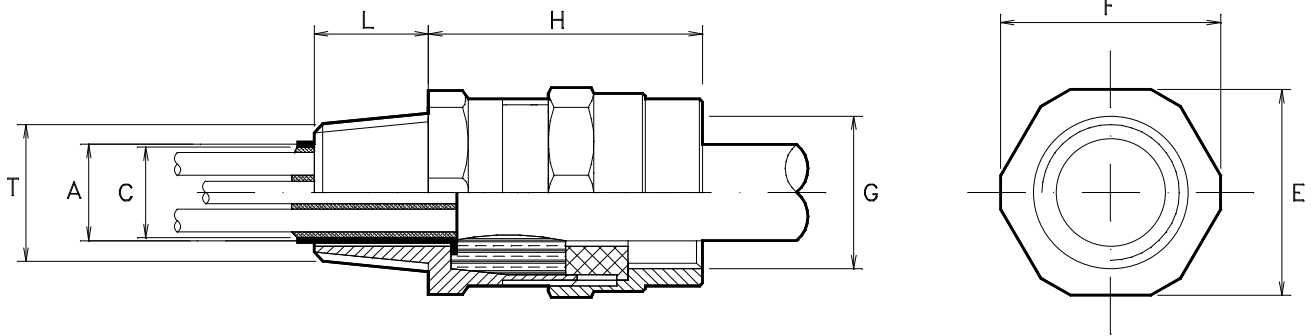
REFERENCE G
 DNCR FOR UNARMoured CABLE



- 1 - Body
- 2 - Seal
- 3 - Press-ring
- 4 - Gland nut
- 5 - Sealing chamber

NOTE: thread **G**=ISO 7/1 RP-BSP. Other threads on request.

→Sample of designation: **DNCR1.10 M20x1,5**



L=Thread length: see comparison table

SIZE	Thread T	Cable dimensions TYPE	Gland dimensions						
			A		C	H	E	F	G
			min	max					
1	1/2"NPT - M20x1,5 - Pg13,5 3/4"NPT - M25x1,5 - Pg16	DNCR1.8	5,5	8	12	42	32	35	1/2"
		DNCR1.10	8	10,5					
		DNCR1.13	10,5	13					
2	3/4"NPT - M25x1,5 - Pg16	DNCR2.13	10,5	13	17	45	36	39	3/4"
		DNCR2.15	13	15,5					
		DNCR2.18	15,5	18					
3	1"NPT - M32x1,5 - Pg21	DNCR3.18	15	18	23	54	45	49	1"
		DNCR3.21	18	21					
		DNCR3.24	21	24					
4	1"1/4NPT - M40x1,5 - Pg29	DNCR4.24	21	24	29	55	50	55	1"1/4
		DNCR4.27	24	27					
		DNCR4.30	27	30					
5	1"1/2NPT - M50x1,5 - Pg36	DNCR5.27	24	27	35	55	57	62	1"1/2
		DNCR5.30	27	30					
		DNCR5.33	30	33					
6	2"NPT - M63x1,5 - Pg42	DNCR6.39	36	39	45	55	67	73	2"
		DNCR6.42	39	42					
		DNCR6.45	42	45					

3.2c FIRE BARRIER CABLE GLAND - DASR series

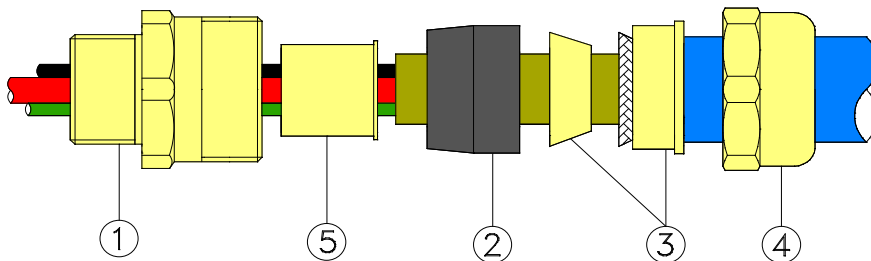


CHARACTERISTICS: For armoured cable, inner seal under armour and armour grounding.
Suitable for enclosures over 2 litres with sparking equipments

APPLICATION: For indoors, without armour protection

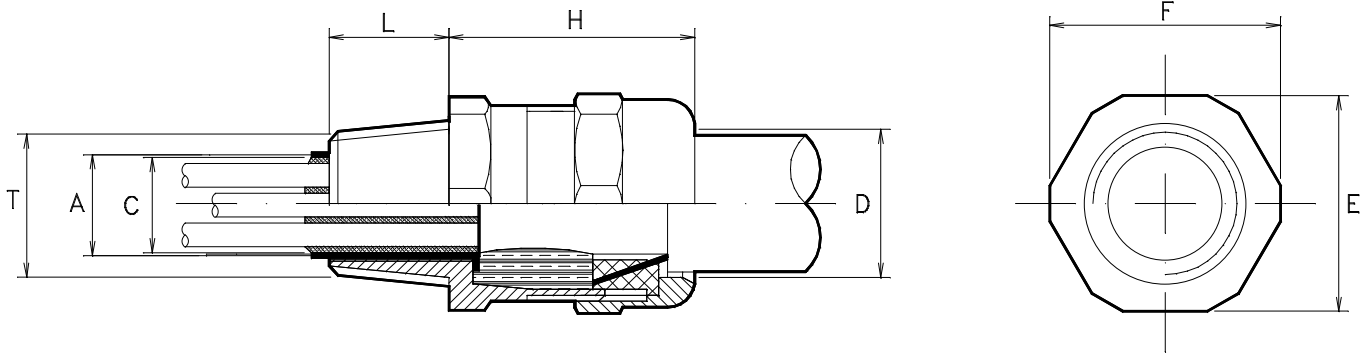
PROTECTION DEGREE: IP66.

REFERENCE H
DASR FOR ARMoured CABLE



- 1 - Body
- 2 - Seal
- 4 - Gland nut
- 5 - Sealing chamber

→Sample of designation: **DASR1.10 M20x1,5**



L=Thread length: see comparison table

Thread		Cable dimensions			Gland dimensions				
SIZE	T	TYPE	A		C	D	H	E	F
			min	max					
1	1/2"NPT - M20x1,5 - Pg13,5 3/4"NPT - M25x1,5 - Pg16	DASR1.8	5,5	8	12	20	41	32	35
		DASR1.10	8	10,5					
		DASR1.13	10,5	13					
2	3/4"NPT - M25x1,5 - Pg16	DASR2.13	10,5	13	17	25	41	36	39
		DASR2.15	13	15,5					
		DASR2.18	15,5	18					
3	1"NPT - M32x1,5 - Pg21	DASR3.18	15	18	25	32	52	45	49
		DASR3.21	18	21					
		DASR3.24	21	24					
4	1"1/4NPT - M40x1,5 - Pg29	DASR4.24	21	24	29	38	53	50	55
		DASR4.27	24	27					
		DASR4.30	27	30					
5	1"1/2NPT - M50x1,5 - Pg36	DASR5.27	24	27	35	44	53	57	62
		DASR5.30	27	30					
		DASR5.33	30	33					
6	2"NPT - M63x1,5 - Pg42	DASR6.39	36	39	45	54	53	67	73
		DASR6.42	39	42					
		DASR6.45	42	45					
7	2"1/2NPT - M75x1,5 - Pg48	DASR7.48	45	48	55	65	53	80	88
		DASR7.51	48	51					
		DASR7.54	51	54					

3.2d FIRE BARRIER CABLE GLAND - DADR series

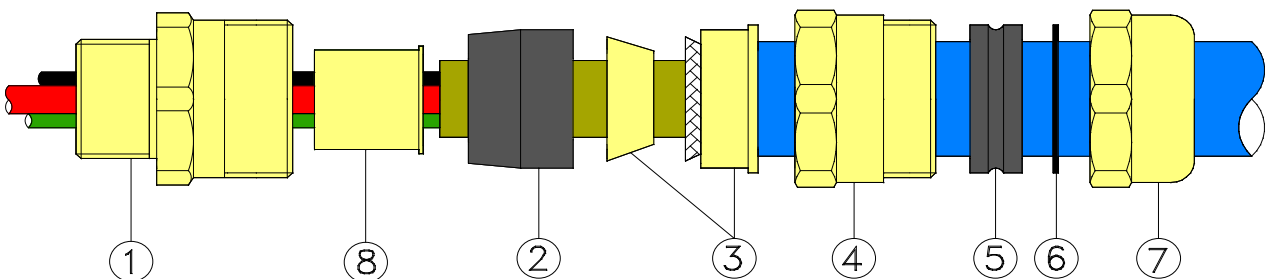


CHARACTERISTICS: For armoured cable, inner and outer seals, armour grounding.
Suitable for enclosures over 2 litres whit sparking equipments

APPLICATION: For outdoors with complete protection of cable armour

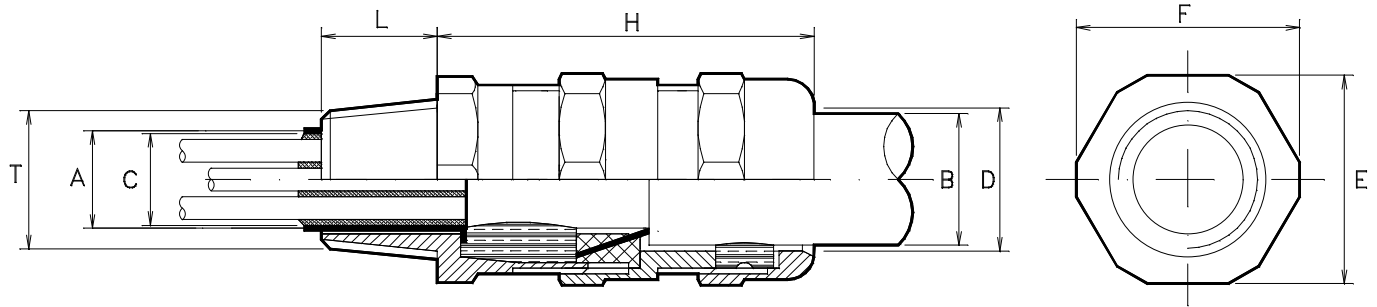
PROTECTION DEGREE: IP66.

REFERENCE I
DADR FOR ARMoured CABLE



- 1 - Body
- 2 - Inner seal
- 3 - Armour clamping ring
- 4 - Middle body
- 5 - Outer seal
- 6 - Washer
- 7 - Gland nut
- 8 - Sealing chamber

→Sample of designation: **DADR1.1015 M20x1,5**



L=Thread length: see comparison table

Thread		Cable dimensions				Gland dimensions					
SIZE	T	TYPE	A		B		C	D	H	E	F
			min	max	min	max					
1	1/2"NPT - M20x1,5 - Pg13,5 3/4"NPT - M25x1,5 - Pg16	DADR1.8*	5,5	8	10 14	15 19	12	20	65	32	35
		DADR1.10*	8	10,5							
		DADR1.13*	10,5	13							
2	3/4"NPT - M25x1,5 - Pg16	DADR2.13*	10,5	13	15 19	20 24	17	25	65	36	39
		DADR2.15*	13	15,5							
		DADR2.18*	15,5	18							
3	1"NPT - M32x1,5 - Pg21	DADR3.18*	15	18	20 25	26 31	23	32	82	45	49
		DADR3.21*	18	21							
		DADR3.24*	21	24							
4	1"1/4NPT - M40x1,5 - Pg29	DADR4.24*	21	24	26 31	32 37	29	38	83	50	55
		DADR4.27*	24	27							
		DADR4.30*	27	30							
5	1"1/2NPT - M50x1,5 - Pg36	DADR5.27*	24	27	31 36	37 43	35	44	83	57	62
		DADR5.30*	27	30							
		DADR5.33*	30	33							
		DADR5.36*	33	36							
6	2"NPT - M63x1,5 - Pg42	DADR6.39*	36	39	42 47	48 53	45	54	83	67	73
		DADR6.42*	39	42							
		DADR6.45*	42	45							
7	2"1/2NPT - M75x1,5 - Pg48	DADR7.48*	45	48	52 58	58 64	55	65	83	80	88
		DADR7.51*	48	51							
		DADR7.54*	51	54							

NOTE: * Indicate the B max value between the two options

3.3 SEALS

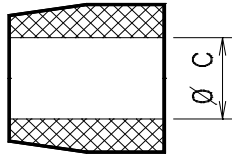


MATERIAL

EPDM : antiageing rubber, 60 ± 5 Shore hardness, with operating temperature range from -40°C up to +80°C

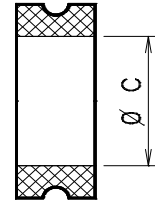
SILICONE : rubber with operating temperature range from -50°C up to +150°C.

INNER SEAL



Size	C	EExd / EExe	
		min	max
0	7	4	7
	10	7	10
1	8	5,5	8
	10,5	8	10,5
	13	10,5	13
2	13	10,5	13
	15,5	13	15,5
	18	15,5	18
3	18	15	18
	21	18	21
	24	21	24
4	24	21	24
	27	24	27
	30	27	30
5	27	24	27
	30	27	30
	33	30	33
	36	33	36
6	39	36	39
	42	39	42
	45	42	45
7	48	45	48
	51	48	51
	54	51	54

OUTER SEAL



Size	C	IP55	
		min	max
0	15	10	15
1	15	10	15
	19	14	19
2	20	15	20
	24	19	24
3	26	20	26
	31	25	31
4	32	26	32
	37	31	37
5	37	31	37
	43	36	43
6	48	42	48
	53	47	53
7	58	52	58
	64	58	64

NOTE:

cable glands are supplied with EPDM rubber seals suitable for the size of the cables used.

Silicone rubbers and seals' kit must be expressly requested when ordering

THREAD'S DESIGNATION

B BSPP/UNI338 (ISO 7/1 Rp)

U UNI6125 (ISO 7/1 Rc)

N NPT (ANSI B1 20.1)

I ISO Mx1,5 (ISO 261)

P Pg (DIN 40430)

THREADS COMPARISON TABLE

SIZE	0	1	2	3	4	5	6	7
THREAD								
U		1/2"	3/4"	1"	1"1/4	1"1/2	2"	2"1/2
N		1/2"	3/4"	1"	1"1/4	1"1/2	2"	2"1/2
B	3/8"	1/2"	3/4"	1"	1"1/4	1"1/2	2"	2"1/2
I	M16	M20	M25	M32	M40	M50	M63	M75
P	Pg11	Pg13,5	Pg16	Pg21	Pg29	Pg36	Pg42	Pg48

3.4 STOPPING PLUGS T series

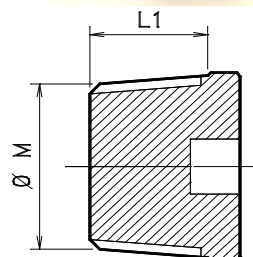
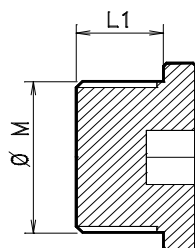
Male stopping plugs of all kind of threads, suitable for enclosure entries

Stopping plugs type **T xa**

T = tstopping plugs

x = M thread type

a = M thread size



3.5 ADAPTOR and REDUCER

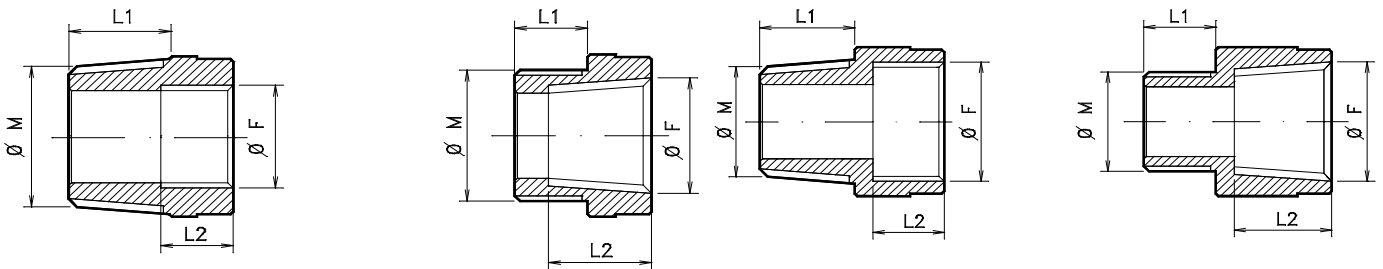


3.5a A series

M/F thread adaptor: M and F different thread

Adaptor type **A xa yb**

A = Adaptor
 x = M thread type
 a = M thread size
 y = F thread type

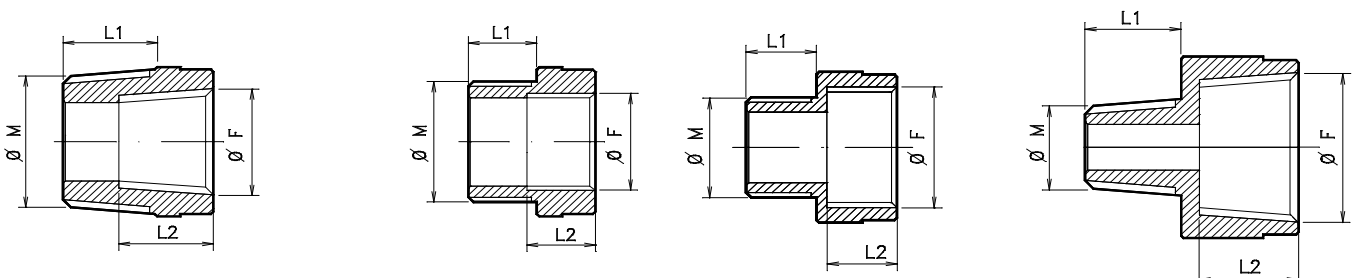


3.5b A series

M/F thread reducer: M and F same thread

Reducer type **R xa yb**

R = reducer
 x = M thread type
 a = M thread size
 y = F thread type
 b = F thread size



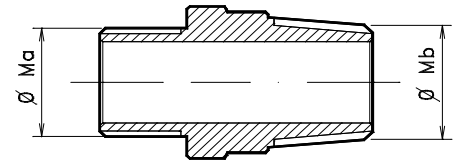
3.5c AM / RM series

M/M thread adaptor/reducer: M and M same thread

Adaptor type **AM xa yb**

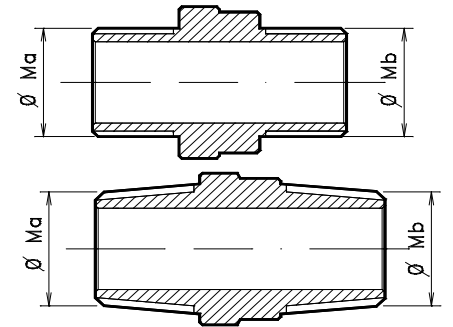


AM = adaptor
 x = M thread type
 a = M thread size
 y = M thread type
 b = M thread size



Reducer type **RM xa yb**

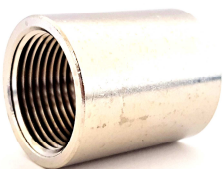
RM = reducer
 x = M thread type
 a = M thread size
 y = M thread type
 b = M thread size



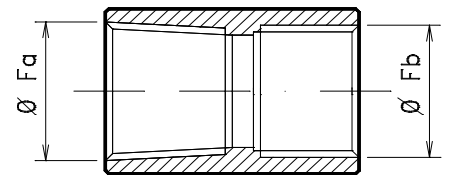
3.5d Serie AF / RF

F/F thread adaptor/reducer: F and F same thread

Adaptor type **AF xa yb**

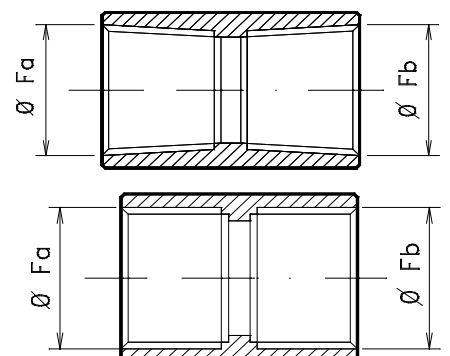


AF = adaptor
 x = F thread type
 a = F thread size
 y = F thread type



Reducer type **RF xa yb**

RF = reducer
 x = F thread type
 a = F thread size
 y = F thread type
 b = F thread size



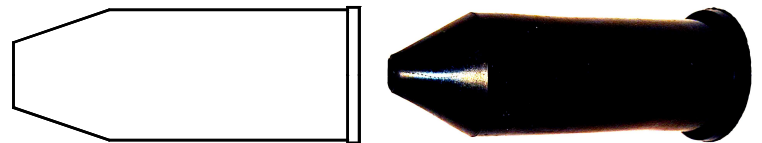
3.6 ACCESSORIES

SHROUDS

PCP rubber shrouds for cable glands as additional protection against onerous weather conditions

PTD series

Size from 0 to 6



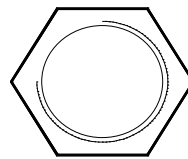
LOCKNUTS

Nickel brass locknuts for cable glands, thread adaptors and reducers.
Stainless steel locknuts on demand

LB series BSPP / UNI 338 thread

LI series ISO Mx1,5 thread

LP series Pg thread



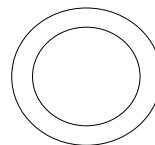
GASKETS

Nylon gaskets.
Other material on demand

GB series BSPP / UNI 338 thread

GI series ISO Mx1,5 thread

GP series Pg thread



EARTHING TAGS

Nickel brass earthing tags for cable glands grounding.
Stainless steel earthing tags on demand

ETB series BSPP / UNI 338 thread

ETI series ISO Mx1,5 thread

ETP series Pg thread

